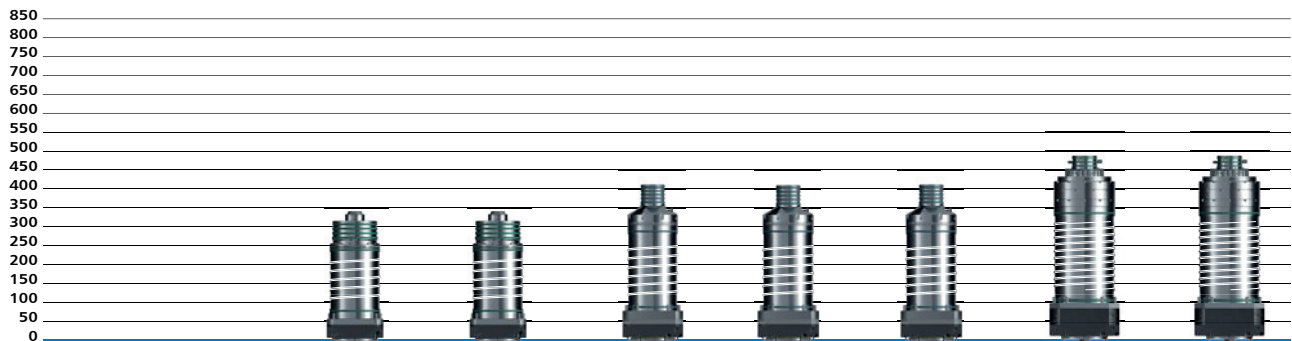
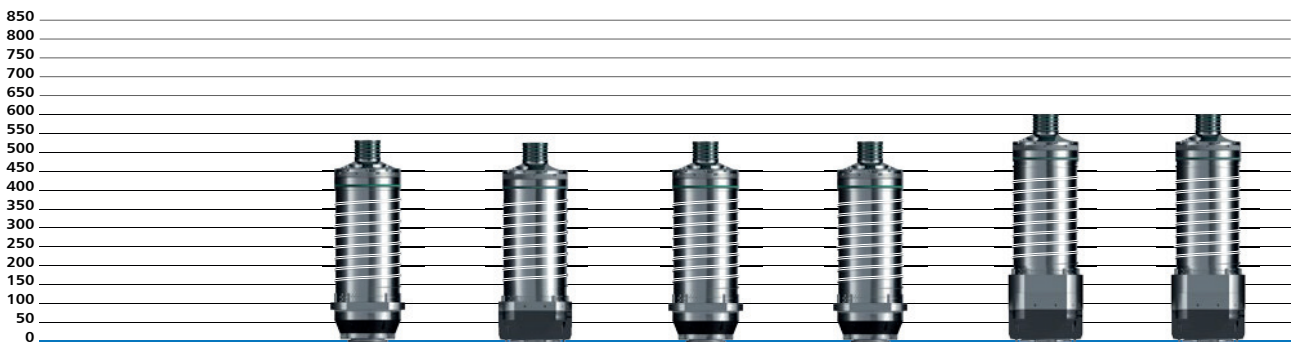


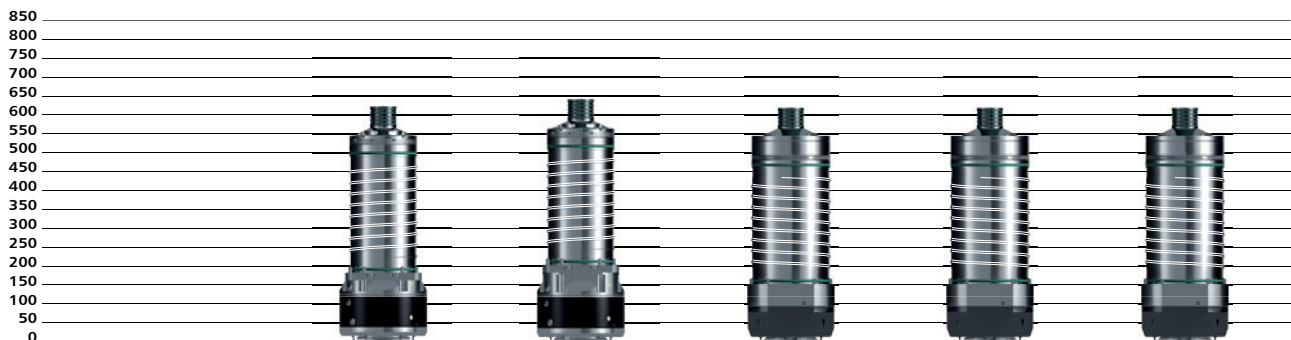
Motor spindles



Milling spindle Series	CS-13-135-A	CS-15-135-S	CS-18-135-S	CS-20-135-A	CS-26-135-S	CS-40-160-S	CS-45-160-S
For head series:	NANO		S8			S8 XL	
Power S1/S6 [kW]:	13/18	15/18,5	18/23	20/26	26/34	40/51	45/54
Nom. speed [min ⁻¹]:	6.000	4.000	3.000	6.000	8.000	5.700	5.700
Torque S1/S6 [Nm]:	20/28	36/44	56/72	33/42	67/85	67/85	75/90
Speed max. [min ⁻¹]:	24.000	10.000	18.000	24.000	15.000	24.000	18.000
Tool interface:	HSK-A63	HSK-A63	HSK-A63	HSK-A63	HSK-A63	HSK-A63	HSK-A63
Bearing lubrication:	Grease	Grease	Grease	Grease	Grease	Grease/Oil/air	Grease/Oil/air



Milling spindle Series:	CS-21-180-A	CS-27-180-S	CS-28-180-A	CS-34-180-A	CS-34-180-S	CS-42-180-S
For head series:	M21					
Power S1/S6 [kW]:	21/27	27/32	28/35	34/43	34/43	42/53
Nom. speed [min ⁻¹]:	2.000	2.000	2.000	4.500	2.000	2.000
Torque S1/S6 [Nm]:	100/130	130/170	90/113	72/91	170/220	201/253
Speed max. [min ⁻¹]:	18.000	12.000	20.000	24.000	12.000	12.000
Tool interface:	HSK-A63	HSK-A100	HSK-A63	HSK-A63	HSK-A100	HSK-A100
Bearing lubrication:	Grease	Grease	Grease/Oil/air	Grease	Grease	Grease



Milling spindle Series	CST-27-180-S	CST-42-180-S	CS-40-200-S	CS-50-200-S	CS-70-200-S
For head series:	M21				
Power S1/S6 [kW]:	27/32	42/53	40/50	50/64	70/90
Nom. speed [min ⁻¹]:	2.000	2.000	2.400	2.000	8.000
Torque S1/S6 [Nm]:	130/170	201/253	160/200	240/300	85/105
Speed max. [min ⁻¹]:	10.000	10.000	15000	8000	22.000 (24.000)
Tool interface:	HSK-T63	HSK-T100	HSK-A100	HSK-A100	HSK-A63
Bearing lubrication:	Grease	Grease	Grease	Grease	Grease /Oil/air



Milling spindle Series:	CS-40-238-S	CS-42-238-S	CS-70-238-S	CS-75-260-S	CS-110-260-A
For head series:	G30				
Power S1/S6 [kW]:	40/48	42/55	70/90	75/94	110/138
Nom. speed [min ⁻¹]:	1.350	1.000	7.000	1.600	1.600
Torque S1/S6 [Nm]:	280/340	400/525	85/105	484/620	700/824
Speed max. [min ⁻¹]:	15.000	8.000	22.000	10.000	5.000
Tool interface:	HSK-A100	HSK-A100/ SK50/C8	HSK-A63	HSK-A100/ SK50	HSK-A100
Bearing lubrication:	Grease	Grease	Grease	Grease	Grease